

Nantucket

Model # 4847

Nantucket Trough



DESCRIPTION

The Nantucket Trough features classic panels with a smooth polished finish, creating an elegant finishing touch to any patio or entranceway.

- Built-in water reservoir feature
- Direct access to the water reservoir
- Weather-resistant, low maintenance material
- Lightweight polyethylene planter with UV inhibitors
- Warranty: 15-Yr Residential Use / 5-Yr Commercial Use

PRODUCT DIMENSIONS

Outside Dimensions: 36in L x 16in W x 24in H (91.4cm x 40.6cm x 61cm)

Inside Dimensions: 32in L x 12in W x 14in D (81.2cm x 30.4cm x 35.6cm)

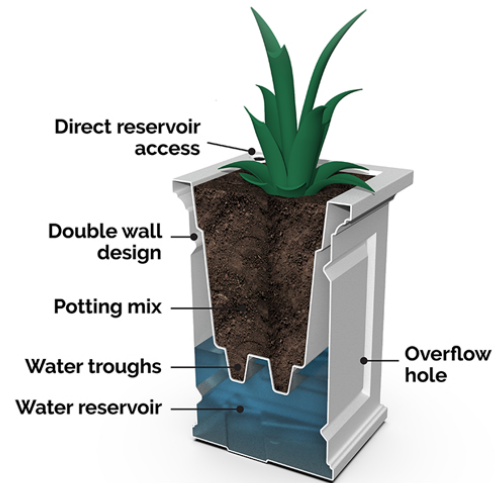
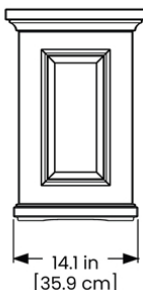
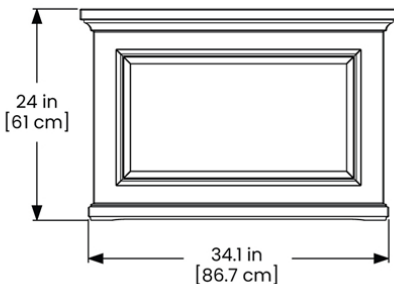
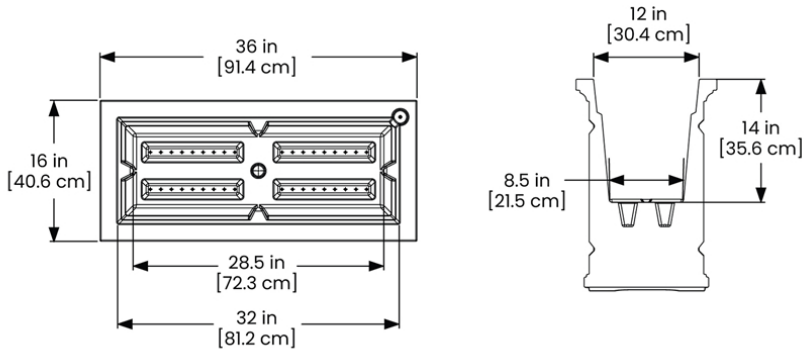
Soil Capacity: 18Gal (68L)

Water Reservoir Capacity: 17.3Gal (65.4L)

Wall Thickness: 0.125in (3.2mm)

Part Weight: 20lbs (9kg)

Material: Polyethylene



MAYNE[®]
Outdoor Products of Distinction

7024 Kilbourne Rd - Unit A
London, ON N6P 1K6
866-363-8834 | gomayne.com
customerservice@gomayne.com